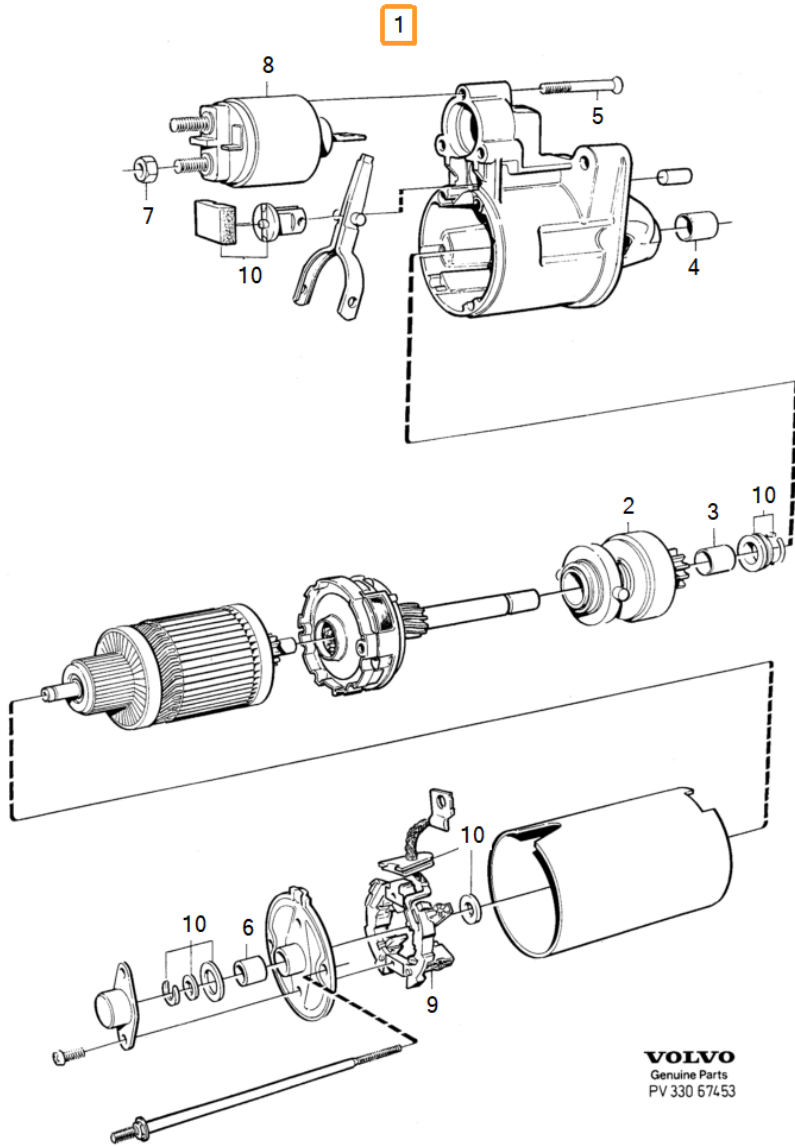


Starter Motor

VIDA Information



33 : Starter motor DSL 2.2 kW, D5252T MSA 15.7

PRINT
 << >>

Fig.	Description	Qty.	PS	Part number
<input type="checkbox"/> 1	Starter motor, exch (8602360), FOR 9459468, 9162928	1.00	EU	36050276
<input type="checkbox"/>	Starter motor, exch 2.2kW	1.00	EU	5003998
<input type="checkbox"/> 2	• Starter pinion	1.00		9442736
<input type="checkbox"/> 3	• Bushing	2.00		1367375
<input type="checkbox"/> 4	• Bearing	1.00		3515041
<input type="checkbox"/> 5	• Screw	3.00		9442738
<input type="checkbox"/> 6	• Bearing bushing	1.00		1367423
<input type="checkbox"/> 7	• Flange nut	1.00		985921
<input type="checkbox"/> 8	•	1.00		9442744
<input type="checkbox"/> 9	• Brush retainer	1.00		9442746
<input type="checkbox"/> 10	• Repair kit	1.00		9442749

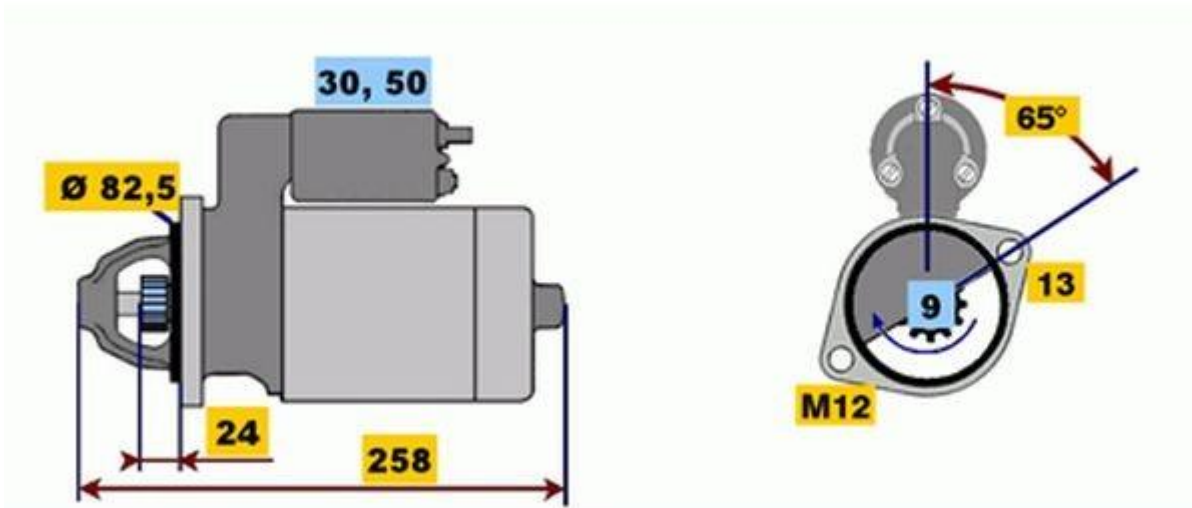
ADD TO LIST New Parts list

Parts

Part Description	Brand	Part Number(s)	Price	Link
Starter Motor	Volvo	5003998	N/A	This part is discontinued.

Starter Motor	Volvo	9162928	N/A	This part is discontinued.
Starter Motor	RIDEX REMAN	2S1131R	£81.49 (15/01/2026)	LINK
Starter Motor	LUCAS	LRS01357	£170.49 (15/01/2026)	LINK
Starter Motor	WALKER	WST00702	£238.00 (15/01/2026)	LINK
Starter Motor	ROTOVIS	8017480	£73.49 (15/01/2026)	LINK

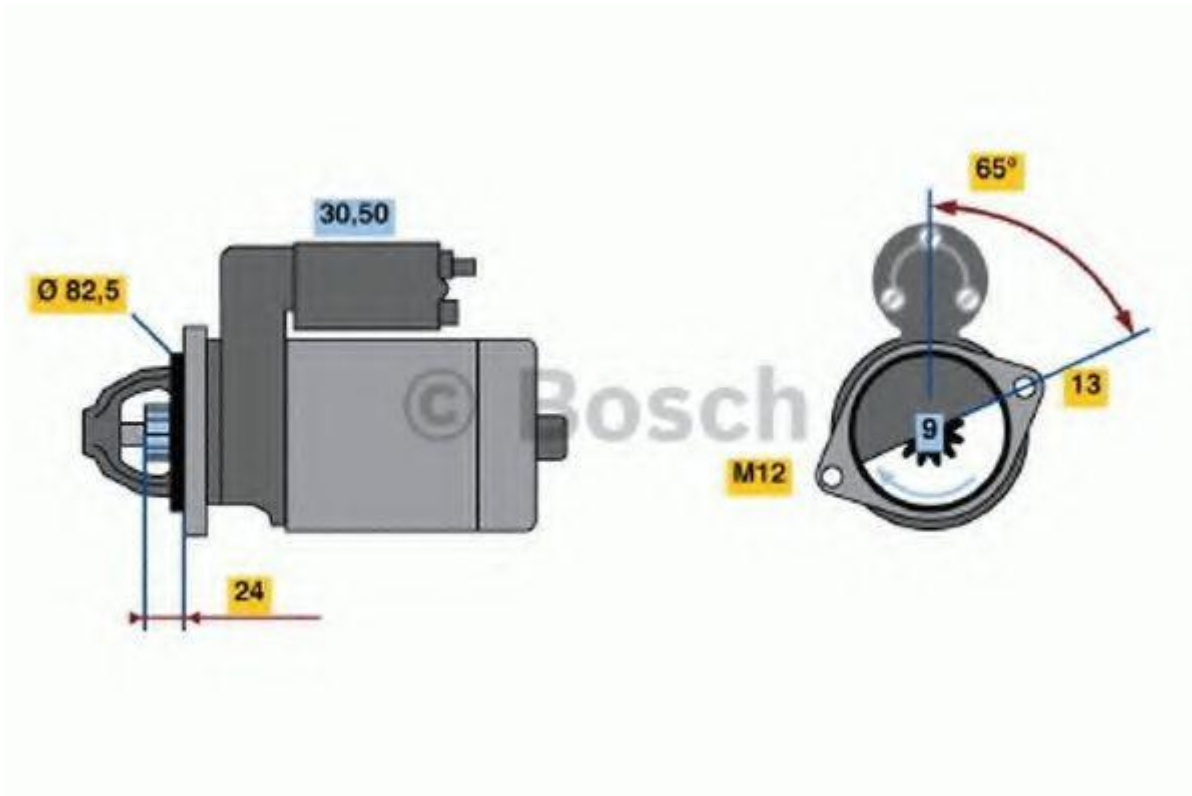
Bosch 0 001 218 173 Starter motor



Specification	Details
Manufacturer	BOSCH
Item Number	0 001 218 173
EAN Number	3165142257600
Condition	New
Price	£478.50
Rated Power	2.2 kW
Voltage	12 V
Starter Type	Self-supporting

Rotation Direction	Clockwise rotation
Number of Teeth	9
Pinion Rest Position	21 mm
Flange Diameter	82.5 mm
Length	257.5 mm
Clamp	50, 30

BOSCH 0 986 017 480 Starter motor



Property	Details
Manufacturer	BOSCH
Item Number	0 986 017 480
EAN Number	3165141163674
Condition	Remanufactured (Exchange Part)
Price	£160.99
Rated Power	2.2 kW
Voltage	12 V
Number of Teeth	9
Rotation Direction	Clockwise rotation
Starter Type	Self-supporting
Flange Diameter	83 mm
Length	258 mm

Pinion Rest Position	21 mm
Clamp	50, 30
Position / Degree	Rechts (Right)
Number of Mounting Bores	1
Bore Diameter	13 mm
Number of Threaded Holes	1
Thread Size	M12x1.75
Mounting Angle	65°
Jaw Opening Angle	65°
Mounting Bore Angle	65°
Construction Year to	Varies depending on car model

Revision #3

Created 2026-01-15 21:24:31 UTC by Kyle Robertson

Updated 2026-01-15 21:51:54 UTC by Kyle Robertson