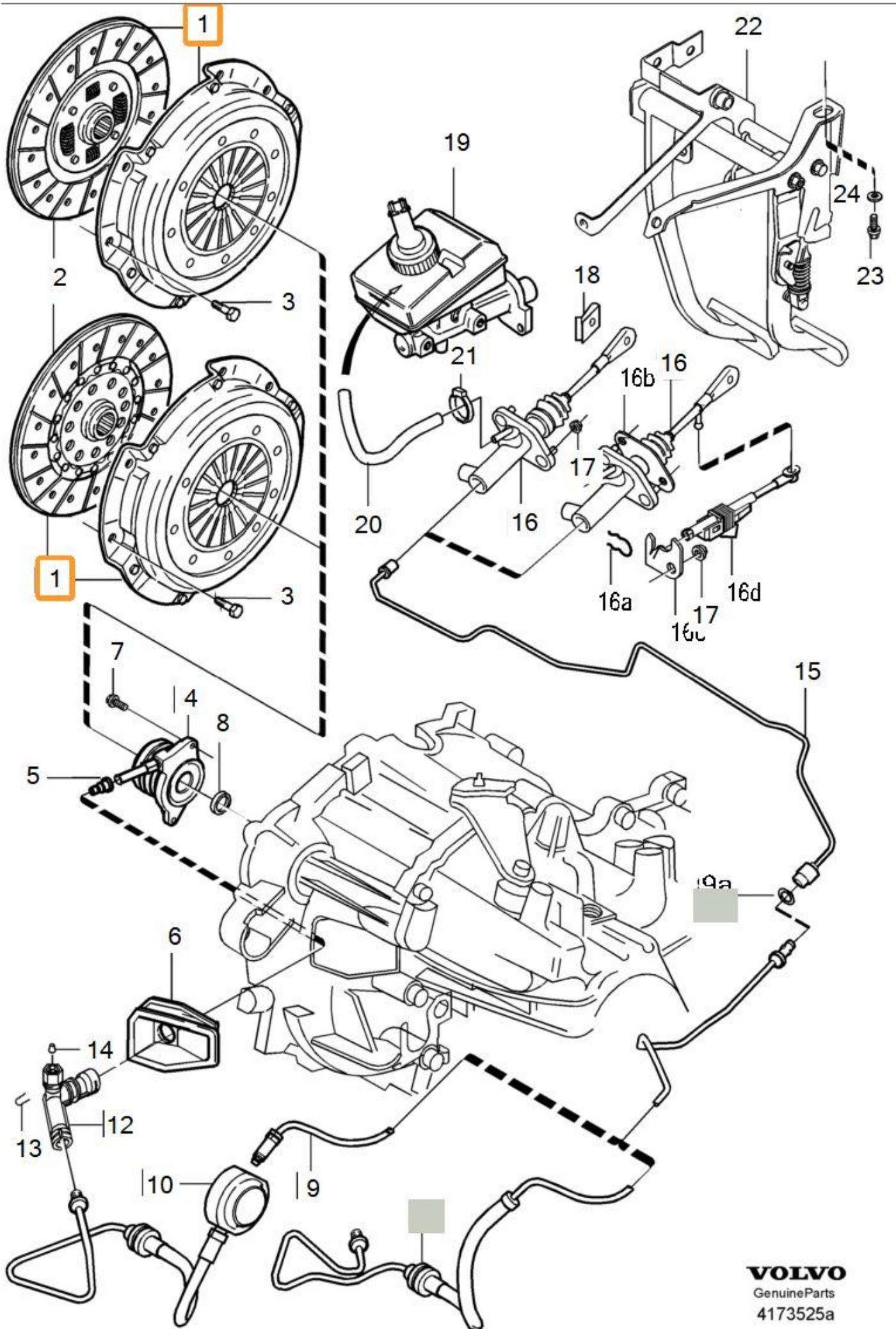


# V70/S70 MSA 15.7 M56 CLUTCH

V70/S70 VOLVO PARTS DIAGRAM



# V70/S70 VOLVO DIAGRAM & PART NUMBERS

Fig	Description	Qty.	Part Number	INFO
1	Clutch kit	1	274156	
2	Driven plate	1	9480896	
3	Hex. socket screw	6	959219	
4	Control cylinder	1	9181322	REPL 1 PCS 9463525.
	Control cylinder	1	9463525	REPL 1 PCS 6900012.
	Control cylinder	1	6900012	REPL 1 PCS 8667661
	Control cylinder	1	8667661	
5	Quick coupling	1	9181729	FOR 9463525, 9181322.
6	Rubber seal	1	9181326	
7	Flange screw	2	982759	
8	Sealing ring	1	1381798	O.DIA 41 mm
	Sealing ring	1	8675580	O.DIA 44 mm, (9183971)
9	Clutch pipe	1	9480293	(9176473)
9a	O-ring	1	9143918	
10	Clutch line	1	9480294	(9181337) Also order c
12	Adapter	1	9181332	
13	Lock brace	3	9181827	
14	Rubber cap	1	656456	
15	Clutch line	1	9143757	-1998
	Clutch line	1	9183753	1999-
16	Master cylinder	1	9181340	-1998
	Master cylinder	1	9181766	1999-
16a	Lock brace	1	9181827	1999-
16b	Sealing	1	9207806	1999-
16c	Washer	1	9183728	1999-

16d	Position sensor	1	9472979	1999-
17	Flange nut	2	985921	
18	Lock brace	1	983479	(30636040)(969159)
19	Decanter	1		Master cylinder servo cyli
	Decanter	1		Master cylinder servo cyli
	Decanter	1		Master cylinder servo cyli
	Decanter	1		Master cylinder servo cyli
20	Rubber hose	x	9157190	LG 410 mm
21	Hose clamp	2	976568	
22	Pedal arrangement	1		Brake pedal with assemb
23	Flange screw	1	985186	
24	Washer	1	986501	

## Service instructions:

At Volvo, there are special tools for installing the clutch that should be used. This will prevent the vibrating of the clutch. (1011436, 1011437).

When installing the clutch without these tools you risk the possibility of the clutch shuddering. A complaint will not be accepted if the tools are not used.

Use the slave cylinder 8667661 (1006083) from years model 98. The standard Release bearing only fits up to 97!

## Parts List

### V70/S70 Clutch Kit

Part Description	Brand	Part Number(s)	Price	LINK
Clutch Kit + Slave Cylinder	libalér	624 2231 33	£ 194,32 (22/01/25)	<a href="#">LINK</a>
Clutch Kit	SACHS	3000 841 501	£ 154,04 (22/01/25)	<a href="#">LINK</a>
Screw/ Bolt Inner Hexagon M8 20mm Flywheel Pressure plate	SKANDIX	986320	€ 0,58 (22/01/25)	<a href="#">LINK</a>

# V70/S70 Slave Cylinder

Part Description	Brand	Part Number(s)	Price	LINK
Central Slave Cylinder	SACHS	3182 654 199	£ 89,72 (22/01/25)	<a href="#">LINK</a>
Central Slave Cylinder	LuK	510 0010 10	£ 87,37 (22/01/25)	<a href="#">LINK</a>
Central Slave Cylinder	AISIN	CSCM-901	£ 78,70 (22/01/25)	<a href="#">LINK</a>

# 850 Clutch Release Bearing

Part Description	Brand	Part Number(s)	Price	LINK
Clutch release bearing	SACHS	3151 269 332	£ 34,70 (22/01/25)	<a href="#">LINK</a>

# Volvo Special Tools

Tool	Brand	Part Number(s)	Price	Link
Press tool, Clutch	Volvo	9995662	€147,58 (22/01/25)	<a href="#">LINK</a>
Centering tool, Clutch	Volvo	9995663	€86,09 (22/01/25)	<a href="#">LINK</a>

---

Revision #2

Created 2025-06-21 18:01:41 UTC by Kyle Robertson

Updated 2025-06-21 18:25:37 UTC by Kyle Robertson